

Advanced Research Grade Level Upright Microscope

Advanced optical system, combine with high powered LED illumination creates a flat field of view, with bright, vibrant color making this series perfect for publication quality photos

Unique Features:

VIEWING HEAD

- Binocular or Trinocular head with 45° incline and 360° rotation

CONDENSER

- Fixed Abbe condenser with filter holder
- NA 1.25 with iris

OPTICAL SYSTEM

- Infinity Optical System
- Inward facing 5 position turret nosepiece with click stops
- Brightfield or Brightfield/Phase contrast configurations
- 4X/10X/20X/40X/100X (oil) Plan/Plan PH objectives
- 10X WF with 20mm FOV eyepieces

ILLUMINATION

- Eco friendly energy efficient 3W LED illumination
- Dimmer control for light intensity

STAGE

- Double layer XY mechanical stage
- Plain stage with slide clips 142mm x 132mm
- Movement range : 75mm x 50mm

FRAME

- Rugged durable metal frame construction
- Rack stop adjustment for protecting objective and specimen slides from accidental breakage
- Convenient carrying handle
- Cord wrap power adapter storage
- Rocker on/off switch located on top of base
- Light intensity controls

FOCUSING

- Coaxial coarse and fine focus adjustment
- Tension adjustments
- Fine focus drive movement of 0.001mm division
- Rack stop adjustment for protecting objective and specimen slides from accidental breakage



Specifications

Hardware	Descriptions
Optical System	Infinity Optical System
Viewing Head	Trinocular Head, Inclined at 45°, 360° Rotatable, Diopter and Interpupillary Adjustment
Eyepiece	WF10X/20mm
Objective	High Contrast Plan 4X, 10X, 40XS, 100XS oil (03000012, 03000108)
	High Contrast Plan 4X, 10X, 40XS, 50XS oil, 100XS oil (03000104)
	High Contrast Plan Achromat 10X, 20X, 40XS, 100XS oil PH (03000106)
Nosepiece	5 Position Nosepiece
Condenser	Abbe Condenser NA 1.25 with Iris Diaphragm and Filter Holder (03000012, 03000104, 03000108)
	Phase contrast condenser (03000106)
Focusing System	Coaxial Coarse/Fine Focus. Adjustment Range 24mm, Fine Focus 0.0001mm
Stage	Double Layer Mechanical Stage 142 x 132mm, Moving Range 75 x 50mm
Polarization	Cross Polarization Kit (03000108)
Dimension	W 23.4 x D35 x H38.9 cm

Ordering Information

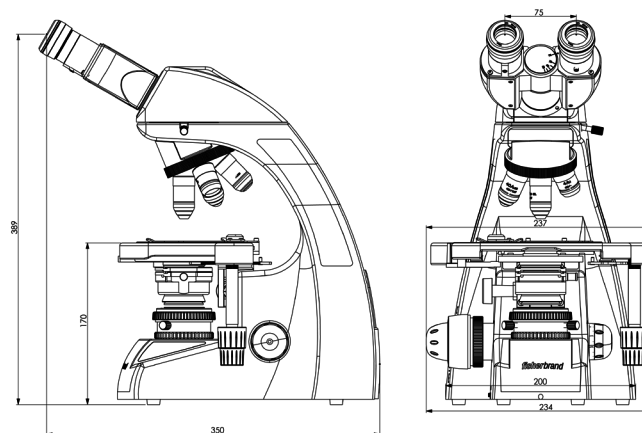
Product	Cat. No.
Infinity Optical System, Inclined 45° Trinocular, Coaxial Coarse/Fine Focus, High Contrast Plan 4X, 10X, 40XS, 100XS oil objectives	03000012
Infinity Optical System, Inclined 45° Trinocular, Coaxial Coarse/Fine Focus, High Contrast Plan 4X, 10X, 40XS, 50XS oil, 100XS oil objectives	03000104
Infinity Optical System, Inclined 45° Trinocular, Coaxial Coarse/Fine Focus, High Contrast Plan Achromat 10X, 20X, 40XS, 100XS oil PH objectives	03000106
Infinity Optical System, Inclined 45° Trinocular, Coaxial Coarse/Fine Focus, High Contrast Plan 4X, 10X, 40XS, 100XS oil objectives, Cross polarization	03000108

Specifications

Hardware	Descriptions
Optical System	Infinity Optical System
Viewing Head	Binocular Head, Inclined at 45°, 360° Rotatable, Diopter and Interpupillary Adjustment
Eyepiece	WF10X/20mm
Objective	High Contrast Plan 4X, 10X, 40XS, 100XS oil (03000011)
	High Contrast Plan 4X, 10X, 40XS, 50XS oil, 100XS oil (03000103)
Nosepiece	High Contrast Plan Achromat 10X, 20X, 40XS, 100XS oil PH (03000105)
	5 Position Nosepiece
Condenser	Abbe Condenser NA 1.25 with Iris Diaphragm and Filter Holder (03000011, 03000103, 03000105, 03000107)
	Phase contrast condenser (03000105)
Focusing System	Coaxial Coarse/Fine Focus. Adjustment Range 24mm, Fine Focus 0.0001mm
Stage	Double Layer Mechanical Stage 142 x 132mm, Moving Range 75 x 50mm
Polarization	Cross Polarization Kit (03000107)
Dimension	W23.4 x D35 x H38.9 cm

Ordering Information

Product	Cat. No.
Infinity Optical System, Inclined 45° Binocular, Coaxial Coarse/Fine Focus, High Contrast Plan 4X, 10X, 40XS, 100XS oil objectives	03000011
Infinity Optical System, Inclined 45° Binocular, Coaxial Coarse/Fine Focus, High Contrast Plan 4X, 10X, 40XS, 50XS oil, 100XS oil objectives	03000103
Infinity Optical System, Inclined 45° Binocular, Coaxial Coarse/Fine Focus, High Contrast Plan Achromat 10X, 20X, 40XS, 100XS oil PH objectives	03000105
Infinity Optical System, Inclined 45° Binocular, Coaxial Coarse/Fine Focus, High Contrast Plan 4X, 10X, 40XS, 100XS oil objectives, Cross polarization	03000107



Measurements are in mm, overall dimension may change slightly depending on model

Research Grade Level Upright Microscope

Research grade optics, sturdy stand, and exceptional optical quality for any higher level educational, clinical, or research lab

Unique Features:

VIEWING HEAD

- Binocular or Trinocular head with 45° incline and 360° rotation

CONDENSER

- Fixed Abbe condenser with filter holder
- NA 1.25 with iris

OPTICAL SYSTEM

- Infinity Optical System
- Inward facing 4 or 5 position turret nosepiece with click stops
- Brightfield or Brightfield/Phase contrast configurations
- 4X/10X/20X/40X/100X (oil) Plan/Plan PH objectives
- 10X WF with 20mm FOV eyepieces

ILLUMINATION

- Eco friendly energy efficient 3W LED illumination
- Dimmer control for light intensity

STAGE

- Double layer XY mechanical stage
- Plain stage with slide clips 142mm x 132mm
- Movement range : 75mm x 50mm

FRAME

- Rugged durable metal frame construction
- Light weight design makes it easy for students to move it around
- Convenient carrying handle
- Cord wrap power adapter storage
- Rocker on/off switch located on top of base
- Light intensity controls

FOCUSING

- Coaxial coarse and fine focus adjustment
- Tension adjustments
- Fine focus drive movement of 0.001mm division
- Rack stop adjustment for protecting objective and specimen slides from accidental breakage



Specifications

Hardware	Descriptions
Optical System	Infinity Optical System
Viewing Head	Trinocular Head, Inclined at 45°, 360° Rotatable, Diopter and Interpupillary Adjustment
Eyepiece	WF10X/20mm
Objective	Plan 4X, 10X, 40XS, 100XS oil (03000024, 03000025, 03000026, 03000029, 03000030, 03000032, 03000033)
	Plan 10X & 20x PH, 40XS, 100XS oil BF (03000027)
Nosepiece	Plan Achromat 10X, 20X, 40XS, 100XS oil PH (03000031, 03000034)
	4 Position Nosepiece (03000024, 03000025, 03000027, 03000029, 03000030, 03000031, 03000034)
Condeser	5 Position Nosepiece (03000026, 03000032, 03000033)
	Abbe Condenser NA 1.25 with Iris Diaphragm and Filter Holder (03000024, 03000025, 03000026, 03000029, 03000030, 03000032, 03000033)
Focusing System	Phase contrast condenser (03000027, 03000031, 03000034)
Stage	Coaxial Coarse/Fine Focus. Adjustment Range 24mm, Fine Focus 0.0001mm
Camera	Double Layer Mechanical Stage 142 x 132mm, Moving Range 75 x 50mm
C-Mount Adapter	3MP Color Camera (03000024, 03000026, 03000027)
	5MP Color Camera (03000029)
	10MP Color Camera (03000030, 03000033, 03000034)
	1080P HDMI Color Camera (03000025, 03000031, 03000032)
Dimension	0.5 x C-mount
	W23.4 x D35 x H38.9 cm

Ordering Information

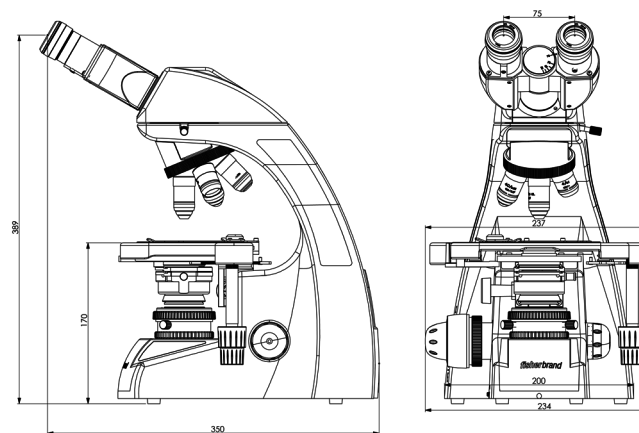
Product	Cat. No.
Infinity Optical System, Inclined 45° Trinocular, Coaxial Coarse/Fine Focus, 4X, 10X, 40XS, 100XS oil Plan achromat objectives, 3MP color camera	03000024
Infinity Optical System, Inclined 45° Trinocular, Coaxial Coarse/Fine Focus, 4X, 10X, 40XS, 100XS oil Plan achromat objectives, 1080P HDMI color camera	03000025
Infinity Optical System, Inclined 45° Trinocular, Coaxial Coarse/Fine Focus, 4X, 10X, 40XS, 100XS oil Plan achromat objectives, 3MP color camera	03000026
Infinity Optical System, Inclined 45° Trinocular, Coaxial Coarse/Fine Focus, 10X & 20X PH, and 40XS & 100XS oil BF Plan achromat objectives, 3MP color camera	03000027
Infinity Optical System, Inclined 45° Trinocular, Coaxial Coarse/Fine Focus, 4X, 10X, 40XS, 100XS oil Plan achromat objectives, 5MP color camera	03000029
Infinity Optical System, Inclined 45° Trinocular, Coaxial Coarse/Fine Focus, 4X, 10X, 40XS, 100XS oil Plan achromat objectives, 10MP color camera	03000030
Infinity Optical System, Inclined 45° Trinocular, Coaxial Coarse/Fine Focus, 10X, 20X, 40XS, 100XS oil PH Plan achromat objectives, 1080P HDMI color camera	03000031
Infinity Optical System, Inclined 45° Trinocular, Coaxial Coarse/Fine Focus, 4X, 10X, 40XS, 100XS oil Plan achromat objectives, 1080P HDMI color camera	03000032
Infinity Optical System, Inclined 45° Trinocular, Coaxial Coarse/Fine Focus, 4X, 10X, 40XS, 100XS oil Plan achromat objectives, 10MP color camera	03000033
Infinity Optical System, Inclined 45° Trinocular, Coaxial Coarse/Fine Focus, 10X, 20X, 40XS, 100XS oil PH Plan achromat objectives, 10MP color camera	03000034

Specifications

Hardware	Descriptions
Optical System	Infinity Optical System
Viewing Head	Trinocular Head, Inclined at 45°, 360° Rotatable, Diopter and Interpupillary Adjustment
Eyepiece	WF10X/20mm
Objective	Plan 4X, 10X, 40XS, 100XS oil (03000007, 03000008) Plan 10X & 20x PH, 40XS, 100XS oil BF (03000009, 03000010)
Nosepiece	5 Position Nosepiece
Condenser	Abbe Condenser NA 1.25 with Iris Diaphragm and Filter Holder (03000009, 03000010) Phase contrast condenser (03000007, 03000008)
Focusing System	Coaxial Coarse/Fine Focus. Adjustment Range 24mm, Fine Focus 0.0001mm
Stage	Double Layer Mechanical Stage 142 x 132mm, Moving Range 75 x 50mm
Dimension	W23.4 x D35 x H38.9 cm

Ordering Information

Product	Cat. No.
Infinity Optical System, Inclined 45° Binocular, Coaxial Coarse/Fine Focus, 4X, 10X, 40XS, 100XS oil Plan achromat objectives	03000007
Infinity Optical System, Inclined 45° Binocular, Coaxial Coarse/Fine Focus, 4X, 10X, 40XS, 100XS oil Plan achromat objectives	03000009
Infinity Optical System, Inclined 45° Trinocular, Coaxial Coarse/Fine Focus, 10X & 20X PH, and 40XS & 100XS oil BF Plan achromat objectives	03000008
Infinity Optical System, Inclined 45° Trinocular, Coaxial Coarse/Fine Focus, 10X & 20X PH, and 40XS & 100XS oil BF Plan achromat objectives	03000010



Measurements are in mm, overall dimension may change slightly depending on model

Research Grade Stereo Zoom Microscope

Stereo microscopes for macro-sized specimens, ideal for college students

Unique Features:

VIEWING HEAD

- Binoc/Trinocular viewing head with 45° angle
- Interpupillary adjustment 54mm to 76mm
- Diopter adjustment

PRESETS

- Transmitted only
- Reflected only
- Discopic only
- Darkfield only
- Reflected and Transmitted
- All on (DF, DI, REFL, TRANS)

FOCUSING

- 100mm working distance
- 40mm height adjustment on focusing mechanism
- Coarse focus adjustment

OPTICAL SYSTEM

- 10X WF eyepieces
- Continuous zoom control
- 0.7X - 4.5X objective
- Zoom ratio 1 : 6.4

ILLUMINATION

- LED ring in transmitted light provides homogeneous light distribution
- LED incident illumination
- Eco friendly energy efficient LED illumination
- Membrane switch controls
- LED light indicator on membrane switch identifies which lighting technique is turned on

STAND

- Low profile plain stage with clips
- Large track stand to accommodate larger samples
- Compact design

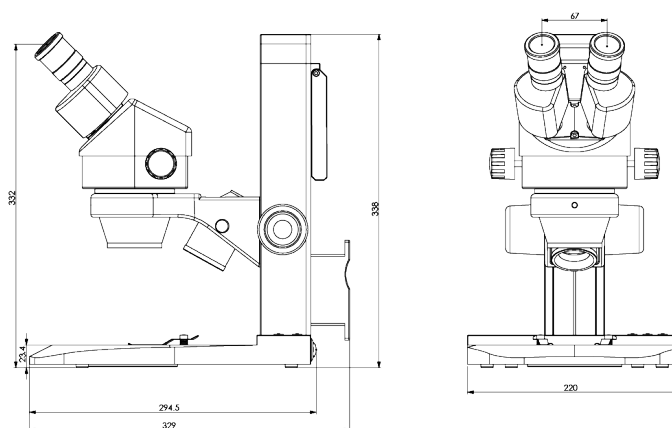


Specifications

Hardware	Descriptions
Viewing Head	Stereo Binocular Viewing Head, Inclined at 45°. (03000014)
	Stereo Trinocular Viewing Head, Inclined at 45°. (03000015)
Interpupillary distance	54mm - 76mm
Eyepiece	WF10X/FOV 20mm
Zoom Objective	0.75X - 4.5X
Zoom Ratio	1 : 6.4
Working Distance	100mm
Insert Round Plate	Glass/Black & White Stage Plate
Illumination	LED Transmitted Illumination, LED Incident Illumination
Dimensions	W22 x D33 x H33.6 cm

Ordering Information

Product	Cat. No.
45° Inclined Binocular Head, Interpupillary Range 54mm - 76mm, Coarse Focus, 7X - 45X mag, Low Profile LED Stand, Transmitted/ Reflected Illumination	03000014
45° Inclined Trinocular Head, Interpupillary Range 52mm - 75mm, Coarse Focus, 7X - 45X mag, Low Profile LED Stand, Transmitted/ Reflected	03000015



Measurements are in mm, overall dimension may change slightly depending on model

Entry Level Research Grade Inverted Microscope

Simple, easy-to-use entry level inverted microscope, which is perfect for education, or a quick check of your cells health

Unique Features:

VIEWING HEAD

- Siedentopf Trinocular head with 30° incline
- 82/20 split between camera and eyepieces
- Dual eyepiece diopter adjustment -8° to +5°
- Interpupillary adjustment distance of 48mm – 76mm
- Ability to attach a camera

CONDENSER

- 72 mm WD Abbe Condenser w/ Phase slider
- Removable Condenser allows for up to 195mm WD to accommodate large vessels
- NA 0.30 with iris diaphragm

FOCUSING

- Coaxial coarse & fine focusing adjustment
- Tension adjustments
- Fine focus drive movement of 0.001mm divisions
- Moving range: 24mm
- Rack stop adjustment for protecting objective and specimen slides from accidental breakage

OPTICAL SYSTEM

- Infinity optical system
- Backward facing 5 position turret nosepiece w/ click stops
- LWD 4x PL BF, & 10X, 20X LWD PL PH objectives
- 10X WF w/ 22mm FOV eyepiece
- Corrected for glasses

ILLUMINATION

- Eco-friendly and energy efficient 5W LED illumination
- Dimmer control for light intensity
- which lighting technique is turned on

STAND

- Rugged, durable metal frame construction
- Stage size: 240mm (x) x 210mm (y)
- Rocker on/off switch
- Compact design



Specifications

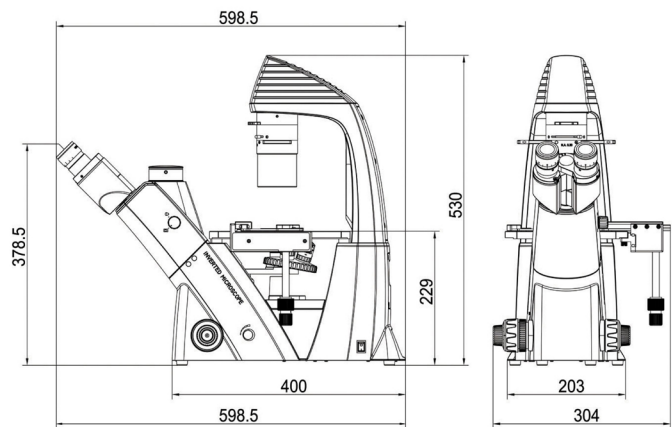
Hardware	Descriptions
Viewing Head	Trinocular Viewing Head, Inclined at 45°.
Interpupillary distance	48mm - 76mm
Eyepiece	WF10X w/22mm FOV
Objective	4X BF, and 10x/20x PH LWD Plan Achromat
Nosepiece	5 Position Nosepiece
Condenser	Long Working Distance (LWD), Detachable, 0.3 NA
Working Distance	70 mm w/ Condenser & 195 mm wo/Condenser
Stand	Inverted Compound Stand
Stage Plate	Fixed, Plan Stage
Illumination	LED Illumination
	100:0 Split
Trinoc Port	80:20 Split (80% Camera/20% Eyepiece)
Dimension	W22 x D32.9 x H36 cm

Ordering Information

Product	Cat. No.
Trinocular Head, Inverted Stand 4x BF & 10x, 20x PH LWD Objective, LED Illumination	03000013

Magnification

Type	Magnification	N.A	WD (mm)
LWD Inf Plan BF Objectives	4x	0.11	12.1
LWD Inf Plan PH Objectives	10x	0.25	8.3
	20x	0.40	7.2



Measurements are in mm, overall dimension may change slightly depending on model

Entry Level Upright Microscope

Entry level upright microscope provides exceptional price/quality ratio, and perfect for educational purposes or basic lab use

Unique Features:

VIEWING HEAD

- Monocular and binocular head with 30° incline and 360° rotation

CONDENSER

- Fixed Abbe condenser with filter holder
- NA 1.25 with iris

OPTICAL SYSTEM

- Finite Optical System
- Inward facing 4 position turret nosepiece with click stops
- 4X/10X/40X/100X (oil) achro objectives
- 10X WF with 18mm FOV eyepieces

ILLUMINATION

- Eco friendly energy efficient 3W LED illumination
- Dimmer control for light intensity

STAGE

- Double layer XY mechanical stage
- Plain stage with slide clips 110mm x 125mm
- Movement range : 35mm x 50mm

FRAME

- Rugged durable metal frame construction
- Light weight design makes it easy for students to move it around
- Convenient rubberised carrying handle
- Cord wrap power adapter storage
- Rocker on/off switch located on top of base
- Light intensity controls

FOCUSING

- Coaxial coarse and fine focus adjustment
- Tension adjustments
- Fine focus drive movement of 0.002mm division
- Rack stop adjustment for protecting objective and specimen slides from accidental breakage

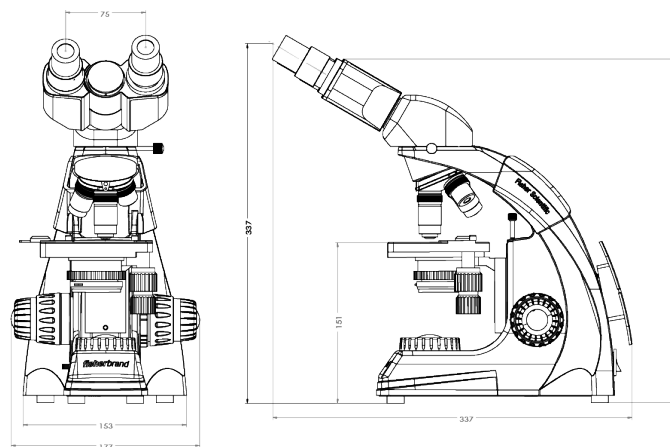


Specifications

Hardware	Descriptions
Optical System	Finite Optical System
Viewing Head	Monocular Head, Inclined at 30°, 360° Rotatable, Diopter and Interpupillary Adjustment (03-000-000, 03-000-002, 03-000-004)
	Binocular Head, Inclined at 45°, 360° Rotatable, Diopter and Interpupillary Adjustment (03-000-001, 03-000-003, 03-000-005, 03-000-006)
Eyepiece	WF10X/18mm
Objective	Achromat 4X, 10X, 40Xs, 100XS oil (03-000-000, 03-000-001)
	HC Semi-Plan 4X, 10X, 40XS, 100XS oil (03-000-002, 03-000-003)
	Plan Phase 4X, 10X, 40XS, 100XS oil (03-000-006)
	Plan Achromat 4X, 10X, 40XS, 100XS oil (03-000-004, 03-000-005)
Nosepiece	4 Position Nosepiece
Condenser	Abbe Condenser NA 1.25 with Iris Diaphragm and Filter Holder (03-000-000, 03-000-001, 03-000-002, 03-000-003, 03-000-004, 03-000-005)
	Phase contrast condenser (03-000-006)
Focusing System	Coaxial Coarse/Fine Focus. Adjustment Range 36mm, Fine Focus 0.0002mm
Stage	Double Layer Mechanical Stage 110 x 125mm, Moving Range 30 x 75mm
Dimension	W17.7 x D22.7 x H33.7 cm

Ordering Information

Product	Cat. No.
Finite Optical System, Inclined 30° Monocular, Coaxial Coarse/Fine Focus, 4X, 10X, 40XS, 100XS oil achromat objectives	03-000-000
Finite Optical System, Inclined 30° Binocular, Coaxial Coarse/Fine Focus, 4X, 10X, 40XS, 100XS oil achromat objectives	03-000-001
Finite Optical System, Inclined 30° Monocular, Coaxial Coarse/Fine Focus, 4X, 10X, 40XS, 100XS oil HC Semi-Plan objectives	03-000-002
Infinity Optical System, Inclined 30° Binocular, Coaxial Coarse/Fine Focus, 4X, 10X, 40XS, 100XS oil HC Semi-Plan objectives	03-000-003
Infinity Optical System, Inclined 30° Monocular, Coaxial Coarse/Fine Focus, 4X, 10X, 40XS, 100XS oil Planachromat objectives	03-000-004
Infinity Optical System, Inclined 30° Binocular, Coaxial Coarse/Fine Focus, 4X, 10X, 40XS, 100XS oil Planachromat objectives	03-000-005
Infinity Optical System, Inclined 30° Binocular, Coaxial Coarse/Fine Focus, 4X, 10X, 40XS, 100XS oil Plan Phase objectives	03-000-006



Measurements are in mm, overall dimension may change slightly depending on model

Fixed Magnification Entry Level Stereo Microscope

Basic, fixed magnifications stereo microscope; perfect for the simple jobs

Unique Features:

VIEWING HEAD

- Binocular viewing head with 45° angle
- Interpupillary adjustment 55mm to 75mm
- Diopter adjustment

PRESETS

- Transmitted only
- Reflected only
- Discopic only
- Darkfield only
- Reflected and Transmitted
- All on (DF, DI, REFL, TRANS)

FOCUSING

- 70mm working distance
- 40mm height adjustment
- Coarse focus

OPTICAL SYSTEM

- Superior Optical Clarity
- 10X WF eyepieces
- Dual magnification
- 1X/3X or 2X/4X

ILLUMINATION

- LED ring in transmitted light provides homogeneous light distribution
- LED incident illumination
- Eco friendly energy efficient LED system
- Membrane switch controls
- LED light indicator on membrane switch identifies which lighting technique is turned on

STAND

- Low profile plain stage with clips
- Pole stand to accommodate larger samples
- Compact design



Specifications

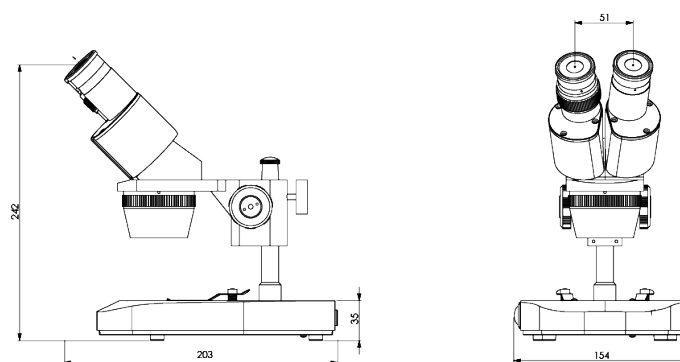
Hardware	Descriptions
Viewing Head	Binocular Viewing Head, Inclined at 45°. Interpupillary Distance 55mm - 75mm
Eyepiece	WF10X
Zoom Objective	2X, 4X (03000038)
	1X, 3X (03000037)
Focusing System	Coarse Adjustment Range 40mm
Working Distance	Working Distance 57mm
Stage	Frosted, Glass/Black & White Stage Plate
Illumination	LED Incident Illumination LED Transmitted Illumination
Dimensions	W15.4 x D20.3 x H24.2 cm

Magnification Chart

Model	Magnification
10X eyepiece with 1X/3X	10X, 30X
10X eyepiece with 2X/4X	20X, 40X

Ordering Information

Product	Cat. No.
45° Inclined Binocular Head, Interpupillary Range 55mm - 75mm, Coarse Focus, 1X/3X objective, Low Profile LED Stand, Transmitted/Reflected, 10X eyepieces	03000037
45° Inclined Binocular Head, Interpupillary Range 55mm - 75mm, Coarse Focus, 2X/4X, 1X/3X objective, Low Profile LED Stand, Transmitted/Reflected, Rechargeable, 10X eyepieces	03000038



Measurements are in mm, overall dimension may change slightly depending on model

Basic Stereo Zoom Microscope

Stereo microscopes for macro-sized specimens, ideal for college students

Unique Features:

VIEWING HEAD

- Binoc/Trinocular viewing head with 45° angle
- Interpupillary adjustment 52mm to 75mm
- Diopter adjustment
- Auxillary lenses/Camera options available

PRESETS

- Transmitted only
- Reflected only
- Discopic only
- Darkfield only
- Reflected and Transmitted
- All on (DF, DI, REFL, TRANS)

FOCUSING

- 70mm working distance
- 40mm height adjustment on focusing mechanism
- Coarse focus adjustment

OPTICAL SYSTEM

- 10X WF eyepieces
- Continuous zoom control
- 1X - 4X objective
- Zoom ratio 1 : 4

ILLUMINATION

- LED ring in transmitted light provides homogeneous light distribution
- LED incident illumination
- Eco friendly energy efficient LED illumination
- Membrane switch controls
- LED light indicator on membrane switch identifies which lighting technique is turned on

STAND

- Low profile plain stage with clips
- Track stand
- Compact design



Specifications

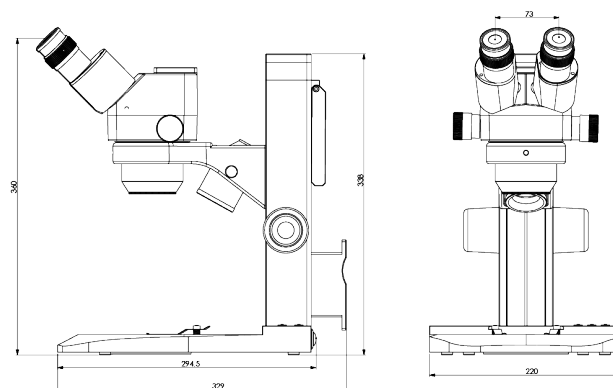
Hardware	Descriptions
Viewing Head	Stereo Binocular Viewing Head, Inclined at 45°. (03000018, 03000019, 03000020, 03000039)
	Stereo Trinocular Viewing Head, Inclined at 45°. (03000021, 03000022, 03000023, 03000028)
Interpupillary Distance	52mm - 76mm
Eyepiece	WF10X
Zoom Objective	1X - 4X
Zoom Ratio	1 : 4
Auxillary Objective	2X
Working Distance	70mm
Stand	Post Stand with Illumination (03000018, 03000021, 03000039, 03000028)
	No Illumination (03000019, 03000022)
	Boom Stand No Illumination (03000020, 03000023)
Stage Plate	(03000018, 03000021, 03000039, 03000028)
Illumination	LED Incident Illumination, LED Transmitted Illumination (03000018, 03000021, 03000039, 03000028)
C-mount	0.5X (03000028)
Camera	3MP Color (03000028)
Dimension	W22 x D32.9 x H36 cm

Ordering Information

Product	Cat. No.
Binocular Head, Objective, Low Profile Stand, Transmitted/Reflected Illumination	03000018
Binocular Head, Low Profile Plain Stand, No Illumination	03000019
Binocular Head, Boom stand No Illumination	03000020
Trinocular Head, Low Profile LED Stand, Transmitted/Reflected	03000021
Stereo Trinocular Head, Low Profile Stand, No Illumination	03000022
Trinocular Head, Boom Stand, No Illumination	03000023
Binocular Head, Low Profile LED Stand, Transmitted/Reflected	03000039
Trinocular Head, Low Profile LED Stand, Transmitted/Reflected, 0.5X C-mount, 3MP Color Camera	03000028

Magnification Chart

Model	Magnification
10X eyepiece with 1X/3X	10X, 30X
10X eyepiece with 2X/4X	20X, 40X
5X eyepiece with 1X/3X	15X, 30X
15X eyepieces with 2X/4X	30X, 60X



Measurements are in mm, overall dimension may change slightly depending on model

High School Series Stereo Microscope

Stereo microscopes for macro-sized specimens, ideal for high school classrooms

Unique Features:

VIEWING HEAD

- Binocular viewing head with 60° incline
- Interpupillary adjustment 54mm to 76mm
- Diopter adjustment

PRESETS

- Transmitted only
- Reflected only
- Discopic only
- Darkfield only
- Reflected and Transmitted
- All on (DF, DI, REFL, TRANS)

OPTICAL SYSTEM

- Superior Optical Clarity
- 10X WF eyepieces
- Dual magnification

ILLUMINATION

- LED ring in transmitted light provides homogeneous light distribution
- LED incident illumination
- Eco friendly energy efficient LED system
- Membrane switch controls
- LED light indicator on membrane switch identifies which lighting technique is turned on

FOCUSING

- 70mm working distance
- 40mm to 110mm height adjustment
- Coarse focus adjustment

STAND

- Low profile plain stage with clips
- Plain stand for stability
- Compact design



Specifications

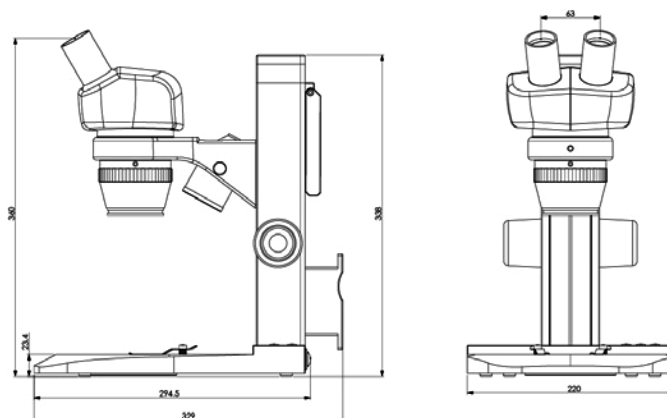
Hardware	Descriptions
Viewing Head	Binocular Viewing Head, Inclined at 60°. Interpupillary Distance 54mm - 76mm
Eyepiece	WF10X (03000035, 03000036)
	WF15X (03000016)
Objective	2X, 4X (03000036)
	1X, 3X (03000016, 03000035)
Focusing System	Coarse Adjustment Range 40mm to 110mm
Working Distance	Working Distance 70mm
Stage	Frosted, Glass/Black & White Stage Plate
Illumination	LED Incident Illumination LED Transmitted Illumination
Dimensions	W21.5 x D28 x H39 cm

Magnification Chart

Model	Magnification
10X eyepiece with 1X/3X	10X, 30X
10X eyepiece with 2X/4X	20X, 40X
15X eyepiece with 1X/3X	15X, 45X

Ordering Information

Product	Cat. No.
15x eyepiece, 60° Inclined Binocular Head, Interpupillary Range 54mm - 76mm, Coarse Focus, 1X/3X objective, Low Profile Plain Stand, Transmitted/Reflected illumination	03000016
10x eyepiece, 60° Inclined Binocular Head, Interpupillary Range 55mm - 75mm, Coarse Focus, 1X/3X objective, Low Profile Plain Stand, Low Profile LED Stand, Transmitted/Reflected	03000035
10x eyepiece, 60° Inclined Binocular Head, Interpupillary Range 54mm - 76mm, Coarse Focus, 2X/4X objective, Low Profile Plain Stand, Transmitted/Reflected illumination	03000036



Measurements are in mm, overall dimension may change slightly depending on model

Distributed by Fisher Scientific. Contact us today:

In the United States

Order online: fishersci.com

Call customer service: 1-800-766-7000

In Canada

Order online: fishersci.ca

Call customer service: 1-800-234-7437

